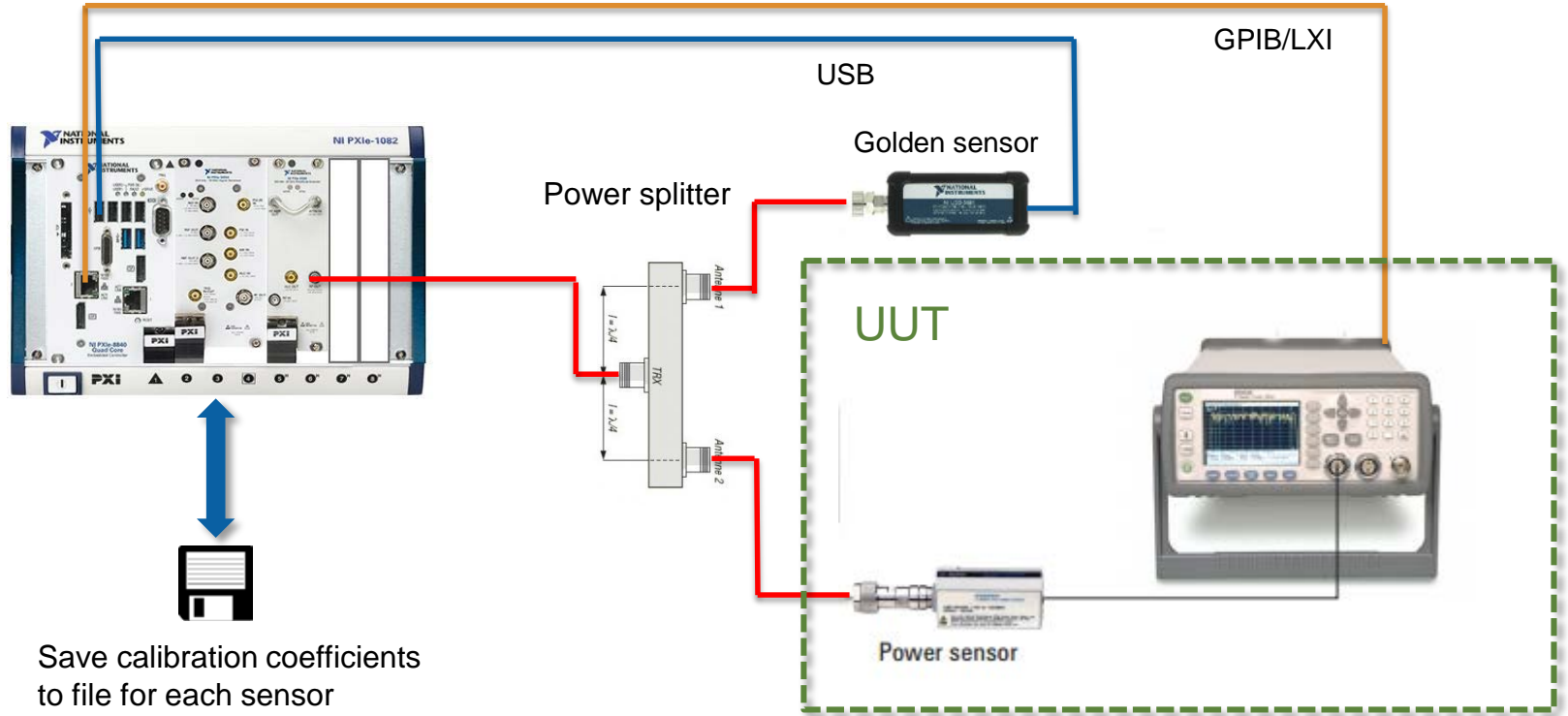


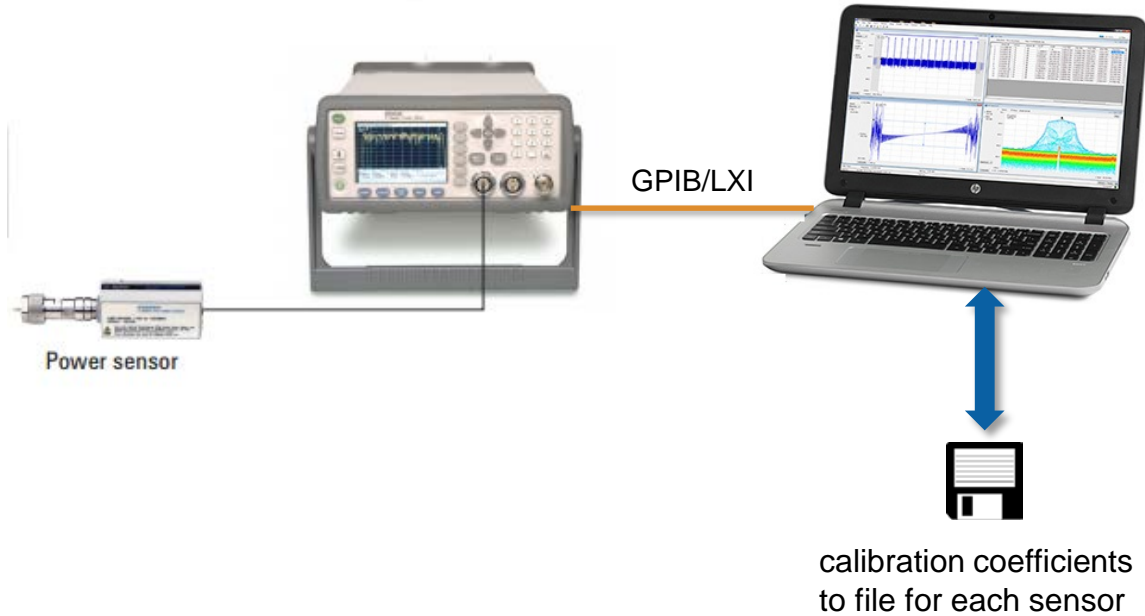
Power Sensor Calibration

Calibration System

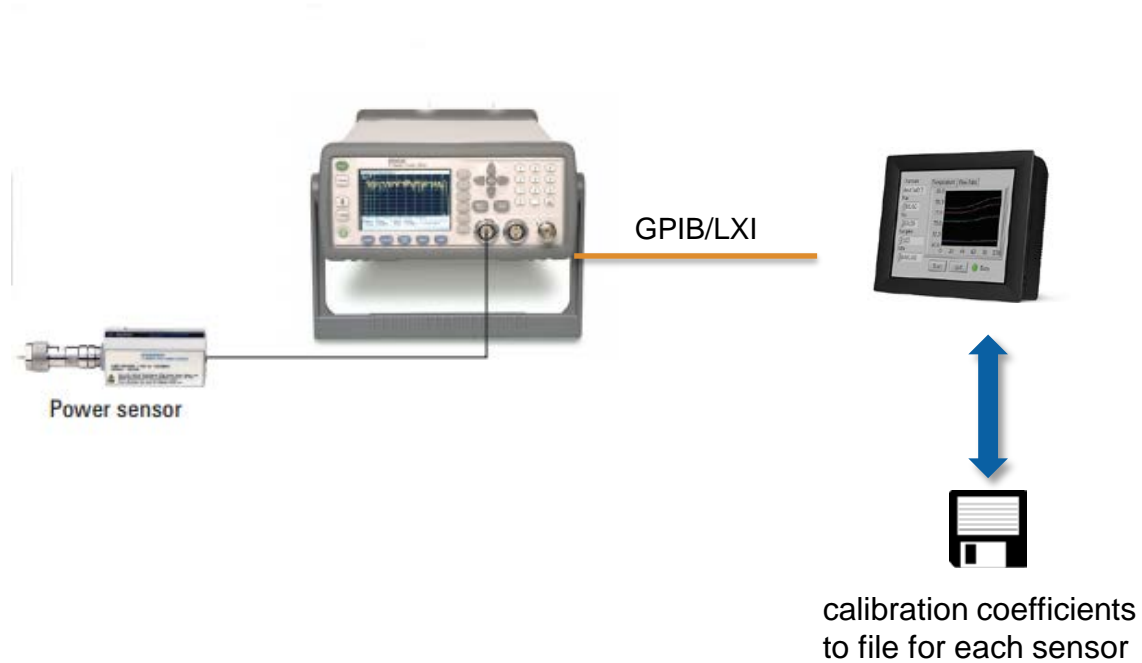


Save calibration coefficients to file for each sensor

Power measurement peripheral (PC based)



Power measurement peripheral (touch panel)



System specifications

- Frequency range 10 MHz to 18 GHz
- Power levels range -40 +20dBm
- Power Resolution 0.01dB
- Calibration Accuracy ± 0.1 dB